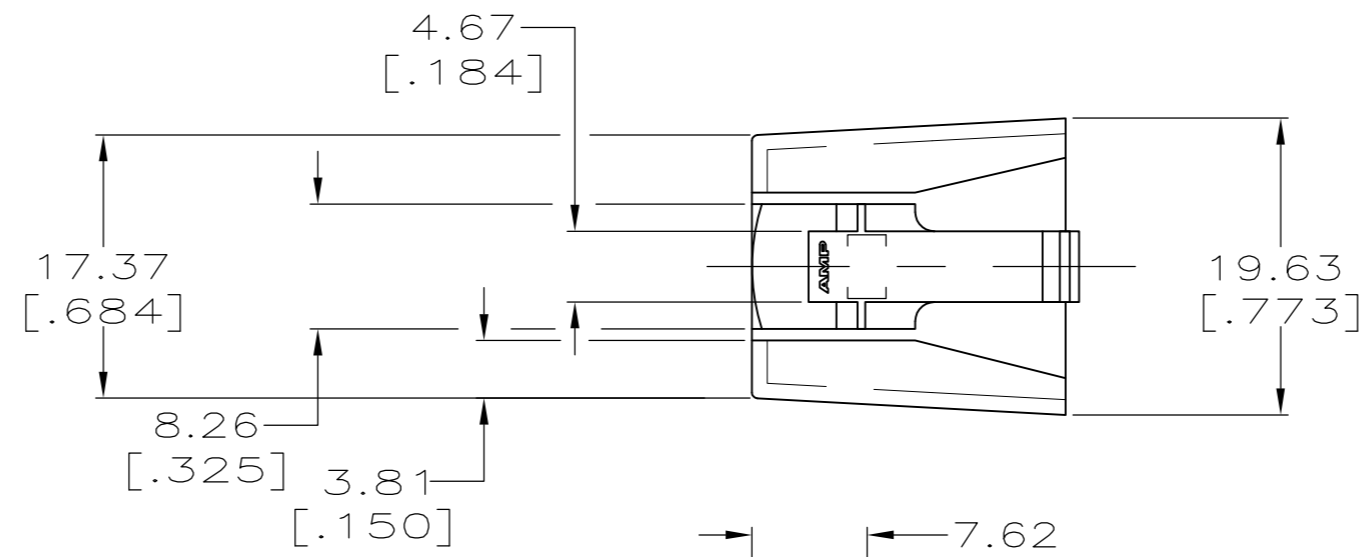
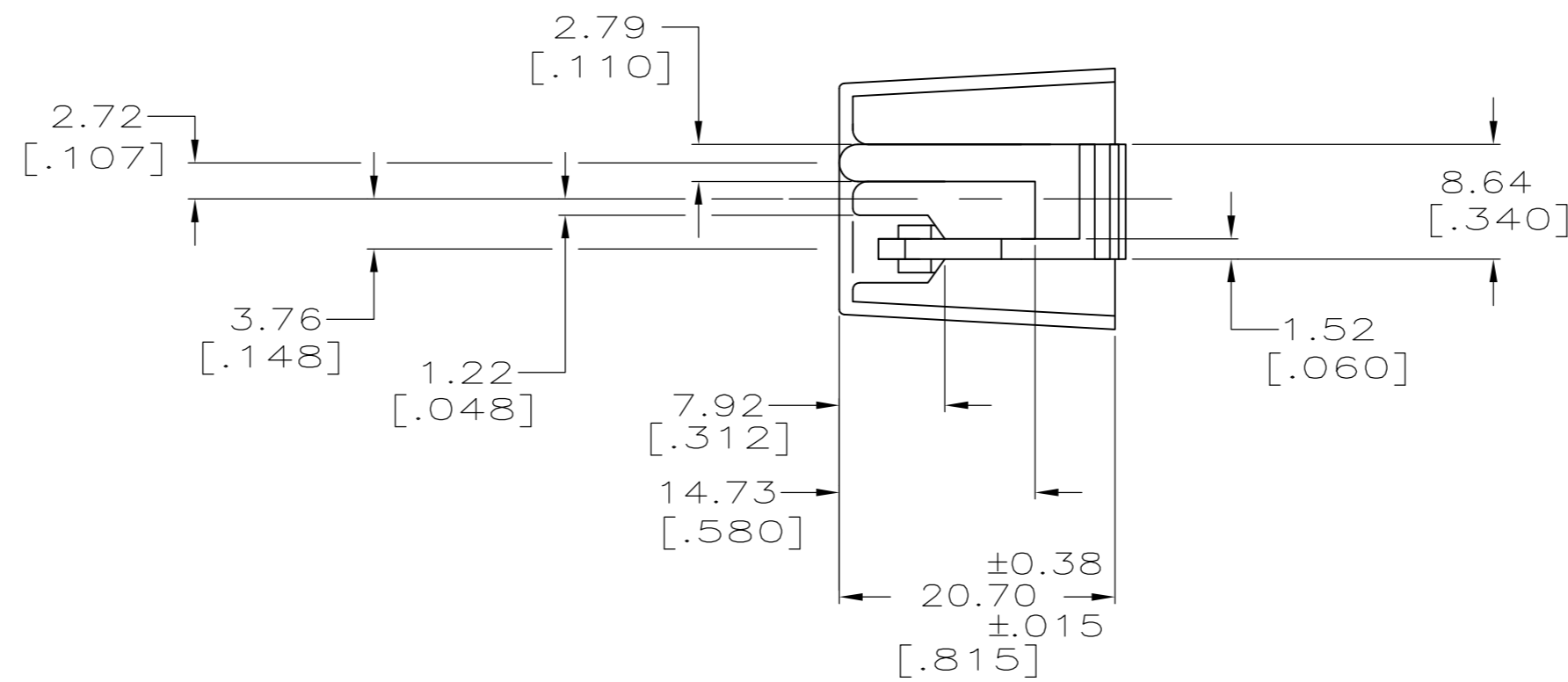
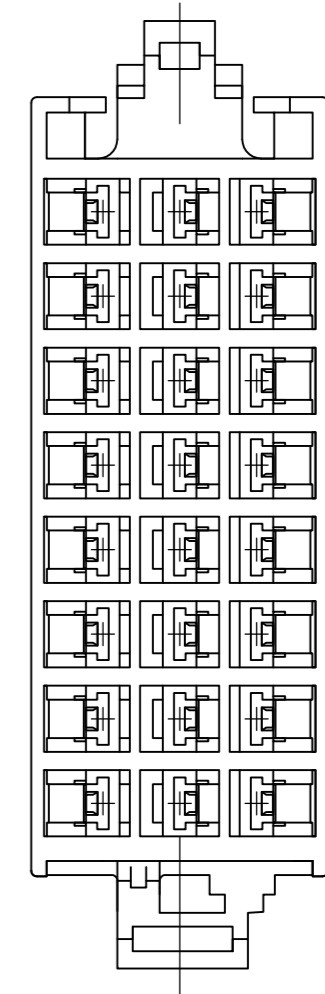
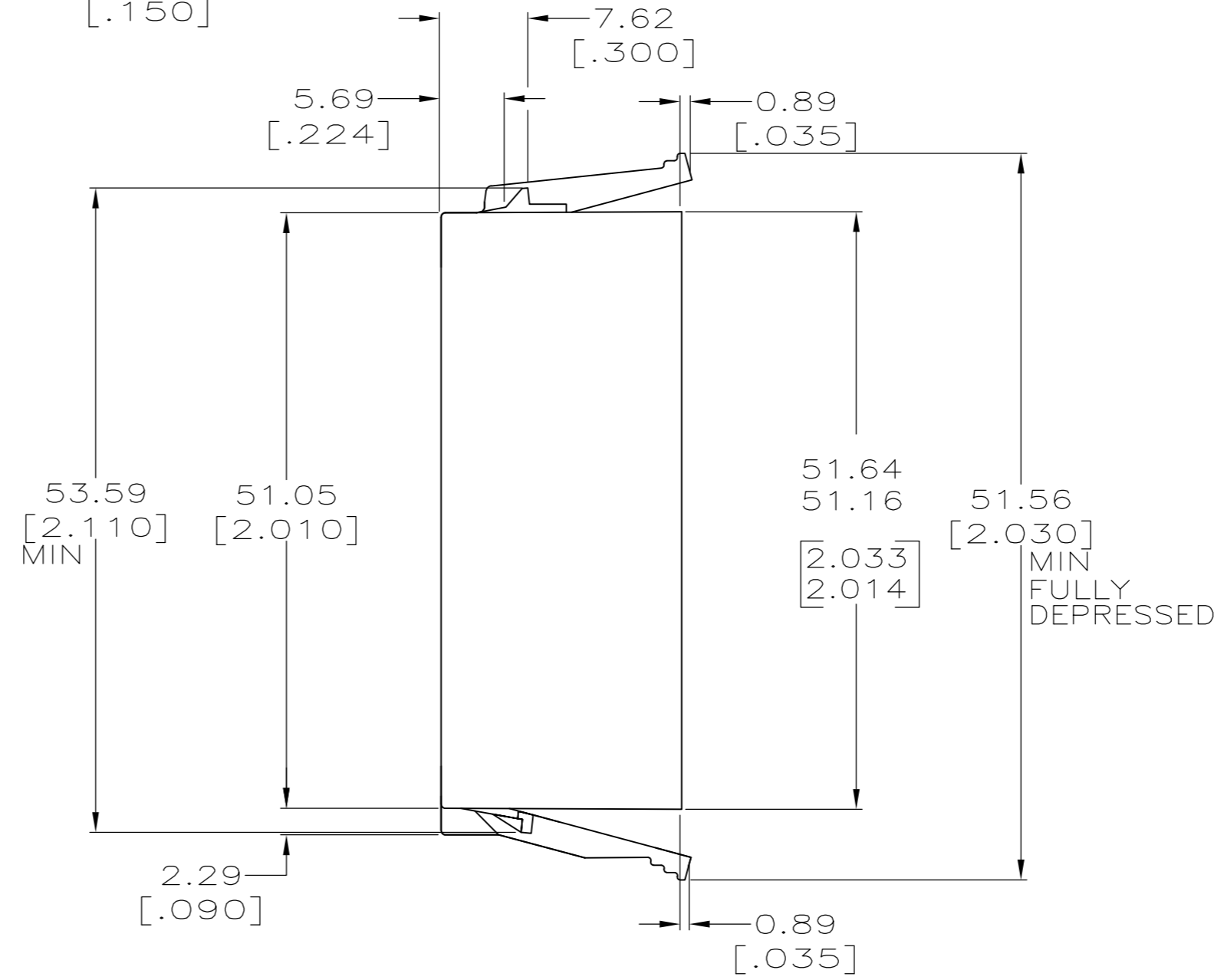
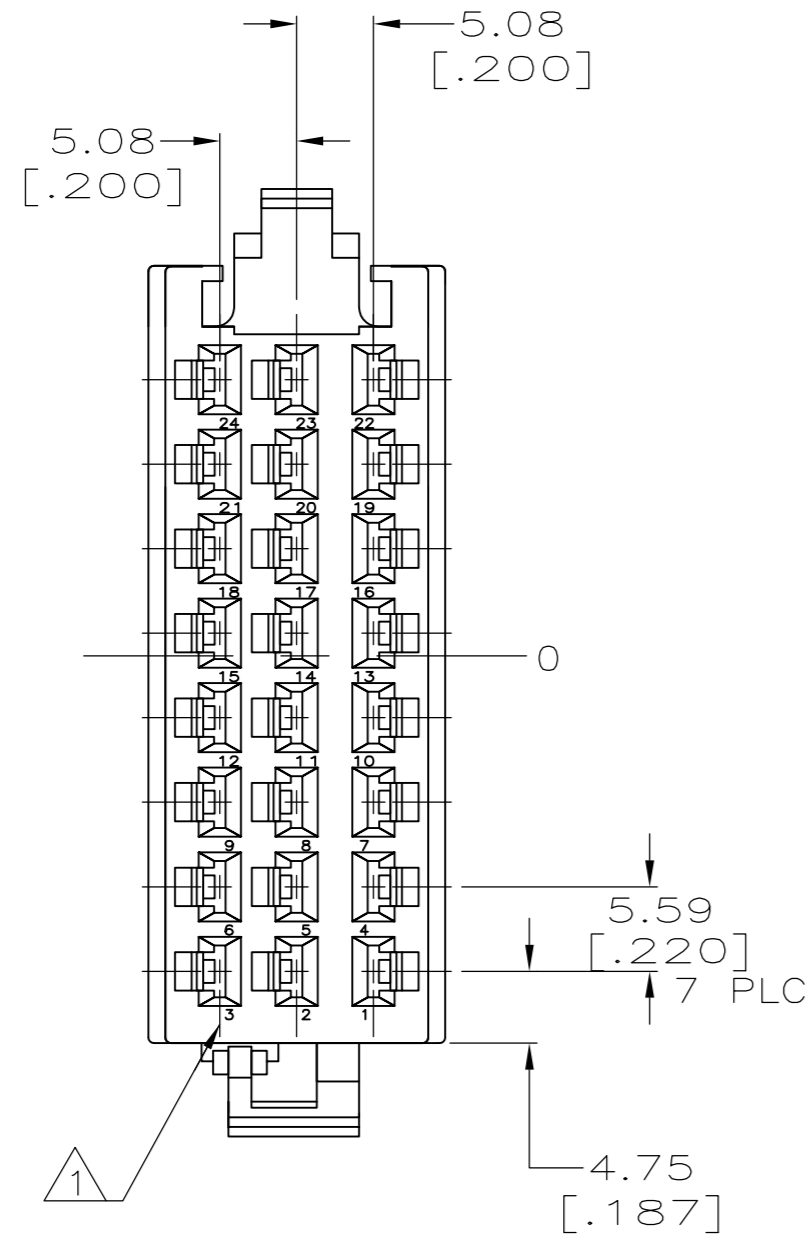


THIS DRAWING IS UNPUBLISHED. RELEASED FOR PUBLICATION
 © COPYRIGHT - By - ALL RIGHTS RESERVED.

LOC		DIST		REVISIONS			
P	LTR	DESCRIPTION		DATE	DWN	APVD	
AF	50	S1	REVISED PER ECR-11-012152	27JUN11	HMR	GJ	



- 1 CIRCUIT IDENTIFICATION.
- 2 ACCEPTS TERMINAL #770642-()
- 3 MATES WITH #521063-().



770198
 770198-1
 PART NUMBER

THIS DRAWING IS A CONTROLLED DOCUMENT.		DWN M.S. FEHER 10NOV2000	TE Connectivity															
DIMENSIONS: mm [INCHES]		CHK J.R. RUTH 10NOV2000																
TOLERANCES UNLESS OTHERWISE SPECIFIED:		APVD DON DECKER 10NOV2000	NAME TIMER CONNECTOR HOUSING, 24 POS, LEFT HAND, GEN III															
<table border="1"> <tr><td>0 PLC</td><td>± -</td></tr> <tr><td>1 PLC</td><td>± -</td></tr> <tr><td>2 PLC</td><td>± 0.25 [.010]</td></tr> <tr><td>3 PLC</td><td>± -</td></tr> <tr><td>4 PLC</td><td>± -</td></tr> <tr><td>ANGLES</td><td>± -</td></tr> <tr><td>FINISH</td><td>NATURAL</td></tr> </table>		0 PLC	± -	1 PLC	± -	2 PLC	± 0.25 [.010]	3 PLC	± -	4 PLC	± -	ANGLES	± -	FINISH	NATURAL	PRODUCT SPEC 108-1271	SIZE A2	CAGE CODE 00779
0 PLC	± -																	
1 PLC	± -																	
2 PLC	± 0.25 [.010]																	
3 PLC	± -																	
4 PLC	± -																	
ANGLES	± -																	
FINISH	NATURAL																	
MATERIAL 6/6 NYLON		APPLICATION SPEC 114-49003	DRAWING NO C=770198	RESTRICTED TO -														
		WEIGHT -	SCALE 2:1	SHEET 1 OF 1														
		CUSTOMER DRAWING	REV S1															